



Practical, innovative and simply makes human care easier.

An outstanding low height of 350mm makes patient entry and exit safer and easier while the exceptional under bed clearance provides full access for patient lifters and bed movers at any bed height.

The M9 Ward Bed has been developed and independently tested to the requirements of the latest and most demanding international safety standards.

Designed using our 'Simple, Smart and Human' values, minimal maintenance and user instruction is required. Customising to your unique needs is easy with an extensive range of specialist options and accessories.

FEATURES

- Fully electric, lockable functions with battery backup
- High quality LINAK and TENTE components
- 16° Trendelenburg / 13.5° Reverse Trendelenburg
- Quick access control box for simple servicing
- Effortless central locking braking
- Sliding backrest provides added patient comfort

OPTIONS AND ACCESSORIES

- Linen rack
- Bed mover push bar (compatible with most bed movers)
- A choice of pressure management mattresses
- Attendant control handset with lockout and underbed light
- Residual current device (RCD)
- A full range of Howard Wright accessories is available

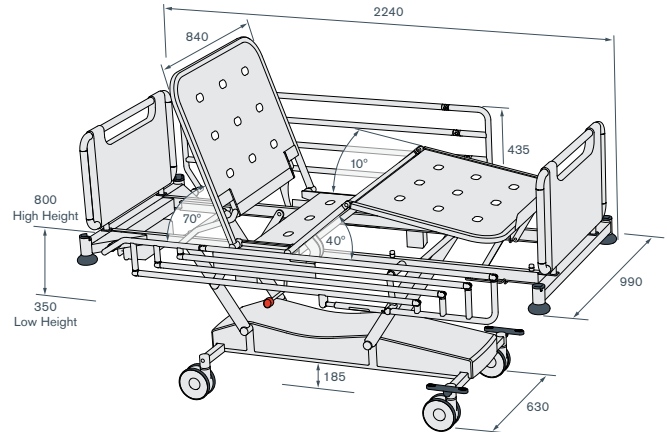




Vertical siderail option



350mm low height



SPECIFICATIONS

MODEL:	M9 Ward Bed
IP RATING:	IPX4
EEC CLASSIFICATION:	Class 1, Non-invasive
MAXIMUM SWL:	250kg (incl. patient and accessories)
BED MASS:	130kg (incl. siderails and bed ends)

- Durable powdercoated steel structure
- 4 large soft corner buffers
- LINAK electric system with 4 actuators. Approved to IEC 60601-1: 2005
- Power input: 220-240 VAC, 50-60 Hz, 2.0 A max Power output: 24 VDC
- Head bed end storage at the foot end
- Easy access control box with power cord storage
- Dual drainage bag rails
- Backrest and legraise have safety spline
- Potential equalisation terminal
- Central locking braking with 2 brake pedals and 1 steer castor
- 4 accessory sockets
- CPR quick release backrest (dampened)

OPTIONS

- Choice of ergonomic horizontal or vertical lift-assisted siderails
- Attendant control handset with lockout and underbed light
- Bed mover push bar (compatible with most bed movers)
- Residual current device (RCD)
- Linen rack

SAFETY COMPLIANCE

- Developed in accordance with the requirements of EN IEC60601-2-52:2010

DIMENSIONS

- Overall (incl. corner buffers): L: 2240mm, W: 990mm
 - Mattress platform: L: 2000mm, W: 840mm
 - Siderail: L: 1585mm, H: 435mm (above mattress platform)
 - Space between siderail bars: 92 mm (25mm when lowered)
 - Space between head end and siderail: 44mm
 - Corner buffer diameter: 90mm
 - Wheel base: 1200mm, wheel track: 630mm
 - Castor diameter: 150mm dual wheel Linea castors
 - Maximum deck height: 800mm, minimum deck height: 350mm
 - Linear translation as bed raises and lowers: 0mm
 - Trendelenburg 16°, reverse Trendelenburg 13.5°
 - Maximum backrest angle: 70°
 - Maximum upper legraise angle: 40° Maximum lower legraise angle: 10°
- (All angular dimensions are with reference to horizontal)

UNDER BED CLEARANCES (FOR PATIENT LIFTERS & BED MOVERS)

- Bogie to floor: 185mm
- Elevator to floor at lowest height: 140mm

www.howardwrightcares.com

Parait Road, Bell Block
 PO Box 3003, Fitzroy
 New Plymouth 4341
 New Zealand
 T. +64 (6) 755 0976
 F. +64 (6) 755 0908

PO Box 2786
 Taren Point
 New South Wales 2229
 Australia
 T. 1800 120 727
 F. 1800 120 717



Design and Development, Production, Sales, Distribution and Servicing of Medical Beds, Stretchers and Accessories

